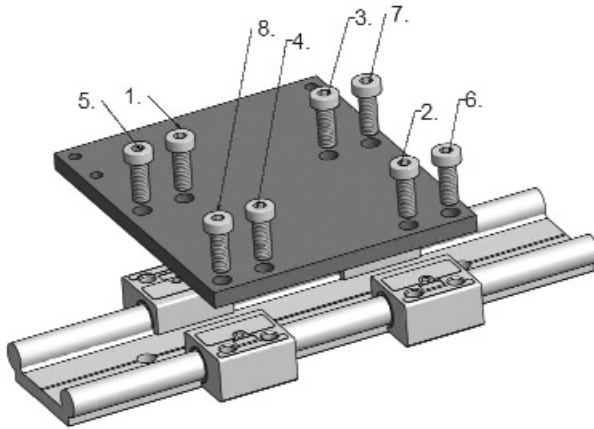




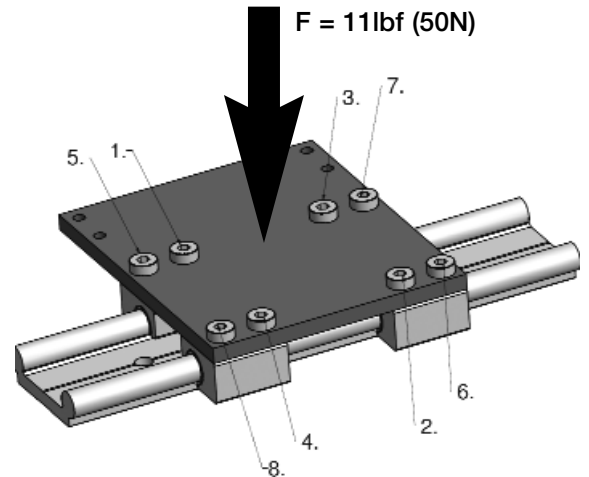
DryLin® W

Mounting Instructions

For Parts WJ-

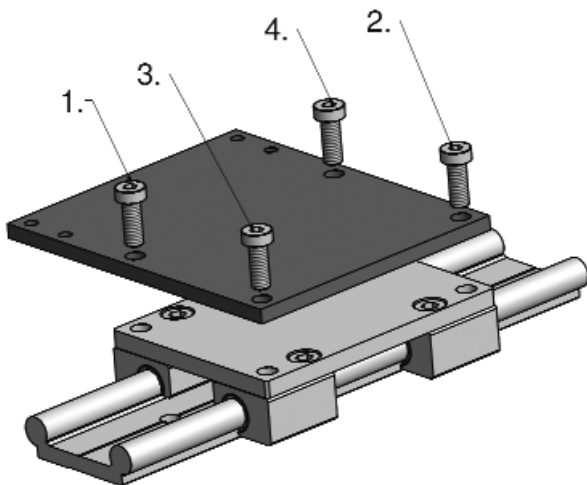


Install the mounting screws in order according to the numbered sequence illustrated above

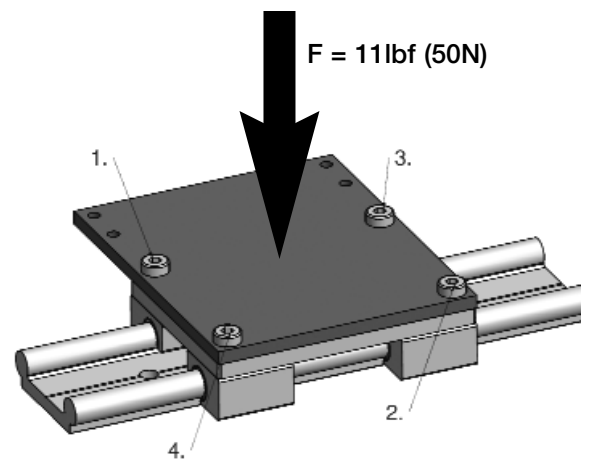


A thrust force of 11lbs (50N) applied to the center of the assembly is recommended during the mounting process to prevent misalignment of the carriages

For Parts WK-



Install the mounting screws in order according to the numbered sequence illustrated above



A thrust force of 11lbs (50N) applied to the center of the assembly is recommended during the mounting process to prevent misalignment of the carriages

All Fasteners are metric
Minimum recommended screw
length is 1.5 x diameter

Fastener/Torque
W-06: M4 = 1.11 ft-lb (1.5 Nm)
W-10: M6 = 4.43 ft-lb (6 Nm)
W-16: M6 = 4.43 ft-lb (6 Nm)
W-20: M8 = 11.06 ft-lb (15 Nm)

igus, inc.
888-803-1895
webmaster@igus.com
www.igus.com